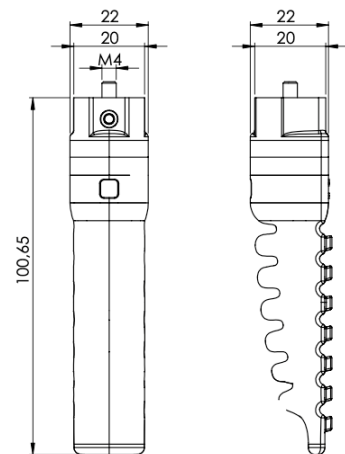




Product Code	Part	Amount
SG.F60S	SoftGripper Finger	4
SG.C.PR.20	EoAT Adapter	4
SG.P.BP.01	20 mm Aluminium profile, L = 200 mm	2
SG.P.BP.02	20 mm Aluminium profile, L = 85 mm	2
SG.KT.B00001	Aluminium profile cover cap 20x20-6	8
SG.KT.B00002	Aluminium profile bracket 20x20	4
SG.KT.B00003	Aluminium profile cup 20x20	4
SG.KT.B00004	Aluminium profile hammer nut 6 mm M4	8
SG.KT.B00010	Cylinder head screw DIN 7984 M6x20 A2	4

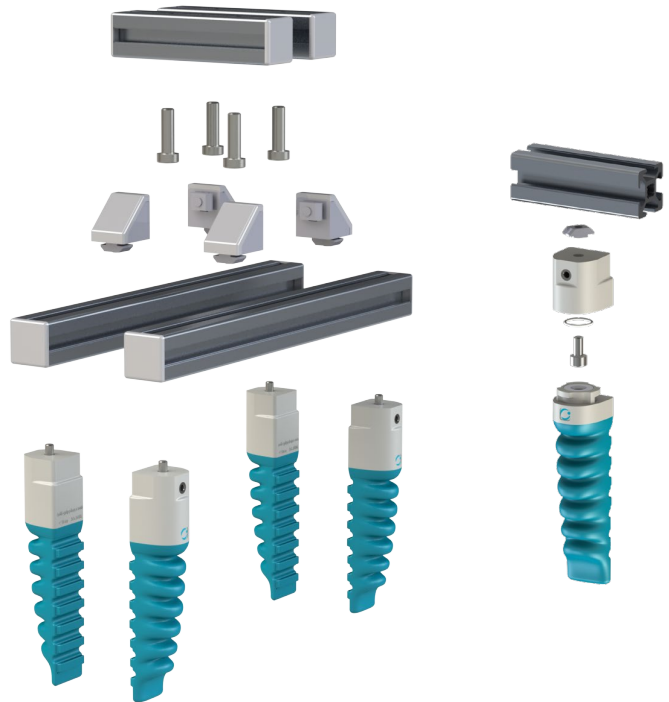
Finger Material	Silicone
Operating Pressure	- 0.5 to 1.0 bar
Grip Force per Finger	3,5 N
Durability	> 1 Mio. Cycles @1.0 bar, 0.5 Hz
Air Pressure Connection	M3



## Mounting of End of Arm Tooling – Connector

The adapter is installed to the profile using the bolting provided. The EoAT-Connector is locked by a M4 screw and a slot nut in the profile. The joint to the Finger is a bayonet lock as it is to all SoftGripper platforms.

To replace a Finger, turn it clockwise until you can take it out of the socket. A new one is then put in and turned counterclockwise until a click of the lock is reached.



Every EoAT-Connector is provided with its own port for pneumatics and can therefore be operated separately or in groups by using pneumatic fittings or distributors.

