



DATA SHEETS FOR BUNDLES

The Bread and Butter of Successful
Projects

[SoftGripper](#), [Control Box](#), [Accessories](#)

Every SoftGripping product has a data sheet. Here we present a collection of all bundle data sheets, so you can pick a product that picks your product perfectly.

Introduction

Looking for grippers that perfectly fit your industrial needs? Haven't heard about SoftGripping yet? Well, it's about time!

Browsing this Collection, you will gain an understanding on how to operate SoftGrippers and EoAT. You will see which components you need and what options you have when dealing with pneumatics.

The presented packages are certainly suitable for a wide range of tasks, but you can also keep an eye on the packages as a guideline for items you need if you want to order other SoftGrippers.

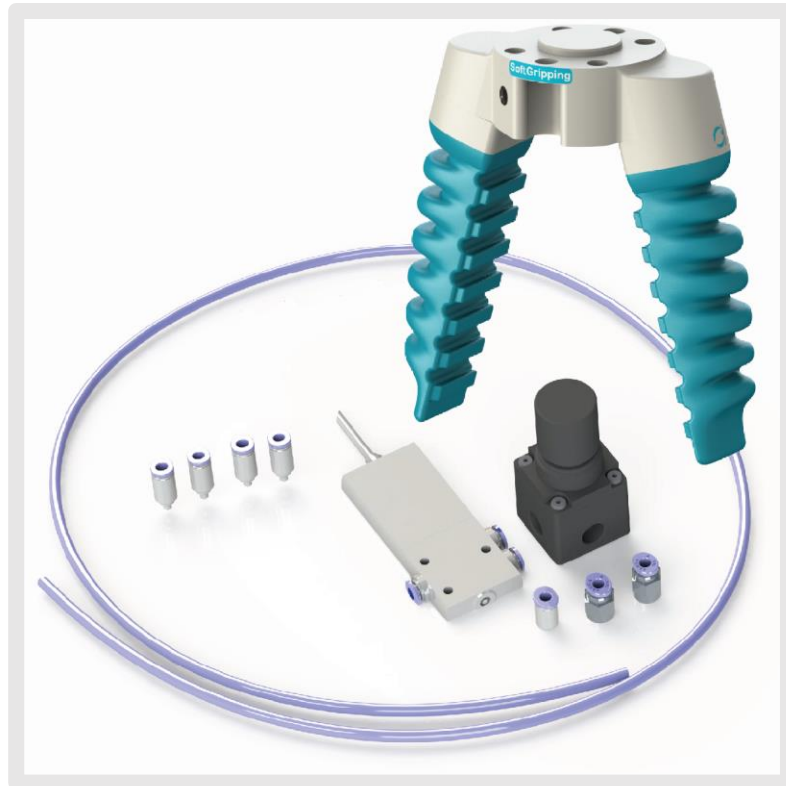
As already mentioned, most of our products were created with our partners in the industry, if you have a special task and need a special SoftGripper, just contact us and we are happy to find the right solution together:

Mail: info@soft-gripping.com

Web: soft-gripping.com ; soft-gripping.shop

Let's find the perfect solution for your individual gripping needs.

Two Finger Parallel SoftGripper - 75° Cone Angle 2 Positions - Bundle SG.GB.2F.1V

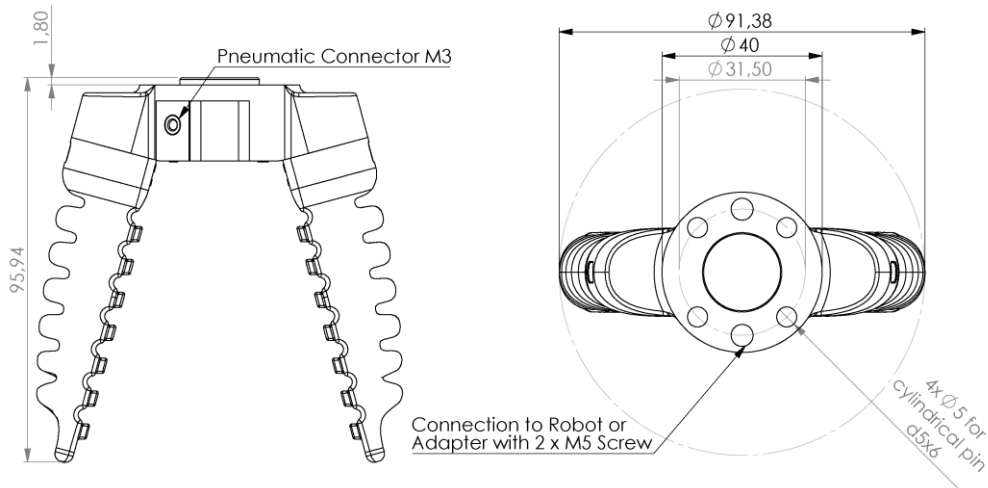


Product Code	Part	Amount
SG.2P.75D.31	Two Finger Parallel SoftGripper - 75° Cone Angle	1
SG.KT.P00001	Festo Solenoid valve MHE2-M1H-3/2G-QS-4-K	1
SG.KT.P00003	AirCom pressure regulator 0,2-2,5 bar R307-01B	1
SG.KT.P00008	Straight plug connector R1/8-4mm IQSG-184-I	2
SG.KT.P00006	Festo 4 mm tubing PUN-4X0,75 BL	5 m
SG.KT.P00005	Straight plug connector IQSM-M34-I	5

Two Finger Parallel SoftGripper - 75° Cone Angle 2 Positions - Bundle SG.GB.2F.1V



This package is intended to have your SoftGripper up and running in no time. It includes a pneumatic accessory kit for operating the SoftGripper with a Festo Solenoid valve and control the pressure via a pressure regulator. The solenoid valve can provide two positions: Grip and Relaxed. Of course, all necessary tubing, connectors and screws are provided as well. Keep in mind that the connector on the SoftGripper is ISO 9404-1-31.5-2-M5. Other connectors are available online.



Finger Material	Silicone
Operating Pressure	- 0.5 to 1.0 bar
Grip Force per Finger	5 N
Durability	> 10 Mio. Cycles @1.0 bar, 0.5 Hz
Connector	ISO 9404-1-31.5-2-M5
Air Pressure Connection	2 x M3
Total Height 75°	95,94 mm
Total Diameter 75°	91,38 mm
Mass	143 g
Typical Gripping Objects	<ul style="list-style-type: none"> • Rectangular or Cubic • Feed size 10 mm – 90 mm • Weight < 200 g

Two Finger Parallel SoftGripper - 75° Cone Angle 3 Positions – Controlbox Bundle SG.GB.2F.C1

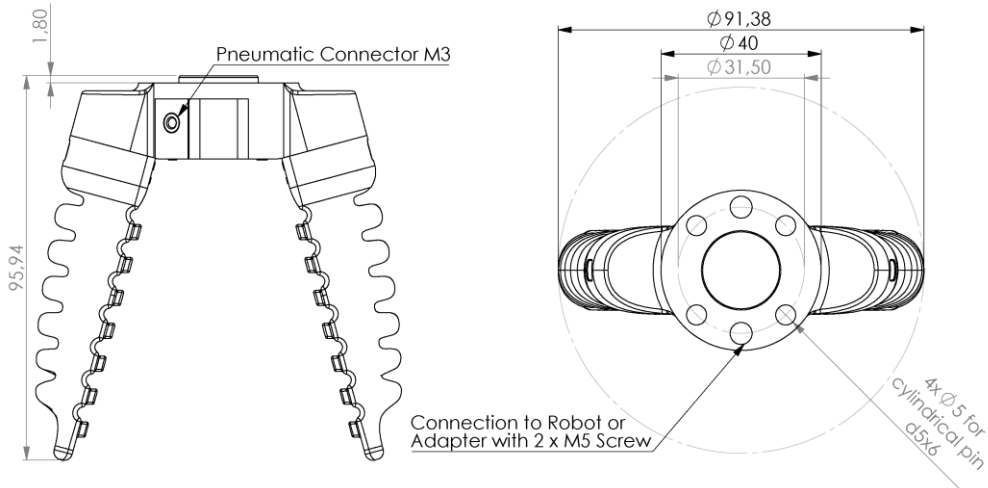


Product Code	Part	Amount
SG.2P.75D.31	Two Finger Parallel SoftGripper - 75° Cone Angle	1
SG.BP.1V.C1	SoftGripping Control Box for SoftGripper and EoAT	1
SG.KT.E00003	M12 connector IEC 61076-2-101 8 Pins male with 0,5 m cable	1
SG.KT.P00006	Festo 4 mm tubing PUN-4X0,75 BL	1 m
SG.KT.P00007	Festo 6 mm tubing PUN-6X1 BL	1 m

Two Finger Parallel SoftGripper - 75° Cone Angle 3 Positions – Controlbox Bundle SG.GB.2F.C1



This package is intended to have your SoftGripper up and running in no time. It includes a pneumatic accessory kit for operating the SoftGripper with a controlbox providing three positions: grip, relaxed and release. Of course, all necessary tubing, connectors and screws are provided as well. Keep in mind that the connector on the SoftGripper is ISO 9404-1-31.5-2-M5. Other connectors are available online.



Finger Material	Silicone
Operating Pressure	- 0.5 to 1.0 bar
Grip Force per Finger	5 N
Durability	> 10 Mio. Cycles @1.0 bar, 0.5 Hz
Connector	ISO 9404-1-31.5-2-M5
Air Pressure Connection	2 x M3
Total Height 75°	95,94 mm
Total Diameter 75°	91,38 mm
Mass	143 g
Typical Gripping Objects	<ul style="list-style-type: none"> • Rectangular or Cubic • Feed size 10 mm – 90 mm • Weight < 200 g

Two Finger Parallel SoftGripper - 75° Cone Angle
3 Positions – Controlbox & Compressor Bundle
SG.GB.2F.C1.P1



Product Code	Part	Amount
SG.2P.75D.31	Two Finger Parallel SoftGripper - 75° Cone Angle	1
SG.BP.2V.C1	SoftGripping Control Box for SoftGripper, EoAT and Suction Cup	1
SG.KT.E00003	M12 connector IEC 61076-2-101 8 Pins male with 0,5 m cable	1
SG.KT.P00006	Festo 4 mm tubing PUN-4X0,75 BL	1 m
SG.KT.P00007	Festo 6 mm tubing PUN-6X1 BL	1 m
SG.KT.P00019	Plug connection with female thread G 1/8"-6mm	1
SG.KT.P00020	Mini compressor	1

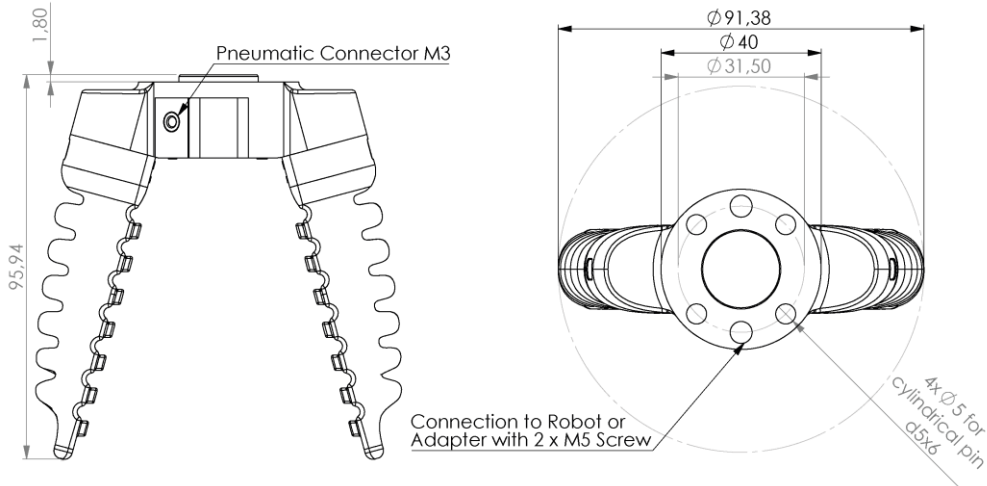
Two Finger Parallel SoftGripper - 75° Cone Angle

3 Positions – Controlbox & Compressor Bundle

SG.GB.2F.C1.P1



This research bundle is intended to have your SoftGripper up and running in no time. It includes a SoftGripping controlbox allowing for three positions of the SoftGripper: Grip, Release and Relaxed. If you decide to extend your SoftGripper with a suction cup, you can use the box to operate both the SoftGripper and the suction cup separately. Of course, all necessary tubing, connectors and screws are provided as well. Additionally, it includes a basic mini compressor to be used in simple setups. Keep in mind that the connector on the SoftGripper is ISO 9404-1-31.5-2-M5. Other connectors are available online.



Finger Material	Silicone
Operating Pressure	- 0.5 to 1.0 bar
Grip Force per Finger	5 N
Durability	> 10 Mio. Cycles @1.0 bar, 0.5 Hz
Connector	ISO 9404-1-31.5-2-M5
Air Pressure Connection	2 x M3
Total Height 75°	95,94 mm
Total Diameter 75°	91,38 mm
Mass	143 g
Typical Gripping Objects	<ul style="list-style-type: none"> • Rectangular or Cubic • Feed size 10 mm – 90 mm • Weight < 200 g

**Three Finger Centric SoftGripper -
75° Cone Angle, Controlbox PV-V - Bundle
SG.GB.3F.C1**

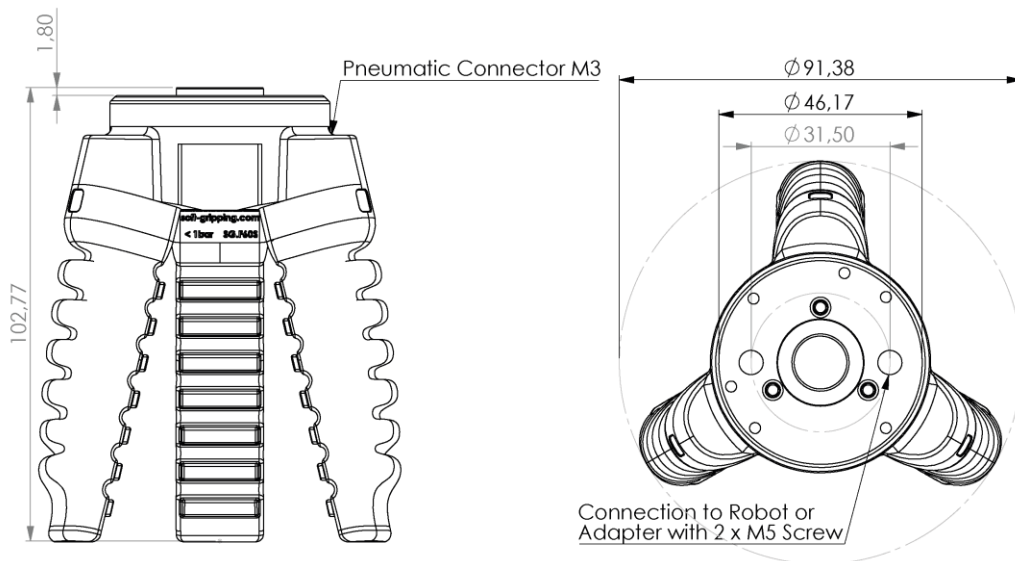


Product Code	Part	Amount
SG.3C.75D.31	Three Finger Centric SoftGripper - 75° Cone Angle	1
SG.CB.2V.C1	SoftGripping Controlbox PV-V	1
SG.KT.E00003	M12 connector IEC 61076-2-101 8 Pins male with 0,5 m cable	1
SG.KT.P00008	Straight plug connector R1/8-4mm IQSG-184-I	2
SG.KT.P00005	Straight plug connector IQSM-M34-I	4
SG.KT.P00006	Festo 4 mm tubing PUN-4X0,75 BL	4 m
SG.KT.P00007	Festo 6 mm tubing PUN-6X1 BL	1 m

Three Finger Centric SoftGripper - 75° Cone Angle, Controlbox PV-V - Bundle SG.GB.3F.C1



This package is intended to have your SoftGripper up and running in no time. It includes a SoftGripping Controlbox PV-V allowing for three positions of the SoftGripper: Grip, Release and Relaxed. If you decide to extend your SoftGripper with a suction cup, you can use the box to operate both the SoftGripper and the suction cup separately. Here, the suction cup can have two positions: Grip and Relaxed. You can operate the controlbox via your own setup or an UR-Cap. You can find the pinout as well as additional information on how to control the box in the appropriate data sheet. Of course, all necessary tubing, connectors and screws are provided as well. Keep in mind that the connector on the SoftGripper is ISO 9404-1-31.5-2-M5. Other connectors are available online.



Finger Material	Silicone
Operating Pressure	- 0.5 to 1.0 bar
Grip Force per Finger	5 N
Durability	> 10 Mio. Cycles @1.0 bar, 0.5 Hz
Connector	ISO 9404-1-31.5-2-M5
Air Pressure Connection	2 x M3
Total Height 75°	102,77 mm
Total Diameter 75°	91,38 mm
Mass	242 g
Typical Gripping Objects	<ul style="list-style-type: none"> • Rectangular or Cubic • Feed size 10 mm – 90 mm • Weight < 300 g

Four Finger Parallel SoftGripper - 75° Cone Angle, Control Box - Bundle SG.GB.4F.C1

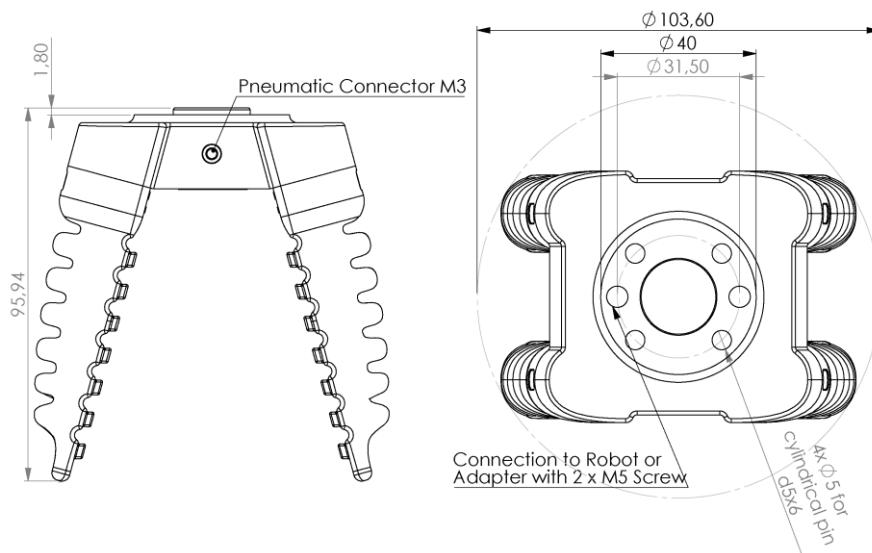


Product Code	Part	Amount
SG.4P.75D.31	Four Finger Parallel SoftGripper - 75° Cone Angle	1
SG.CB.2V	SoftGripping Control Box	1
SG.KT.E00003	M12 connector IEC 61076-2-101 8 Pins male with 0,5 m cable	1
SG.KT.P00008	Straight plug connector R1/8-4mm IQSG-184-I	2
SG.KT.P00005	Straight plug connector IQSM-M34-I	4
SG.KT.P00006	Festo 4 mm tubing PUN-4X0,75 BL	4 m
SG.KT.P00007	Festo 6 mm tubing PUN-6X1 BL	1 m

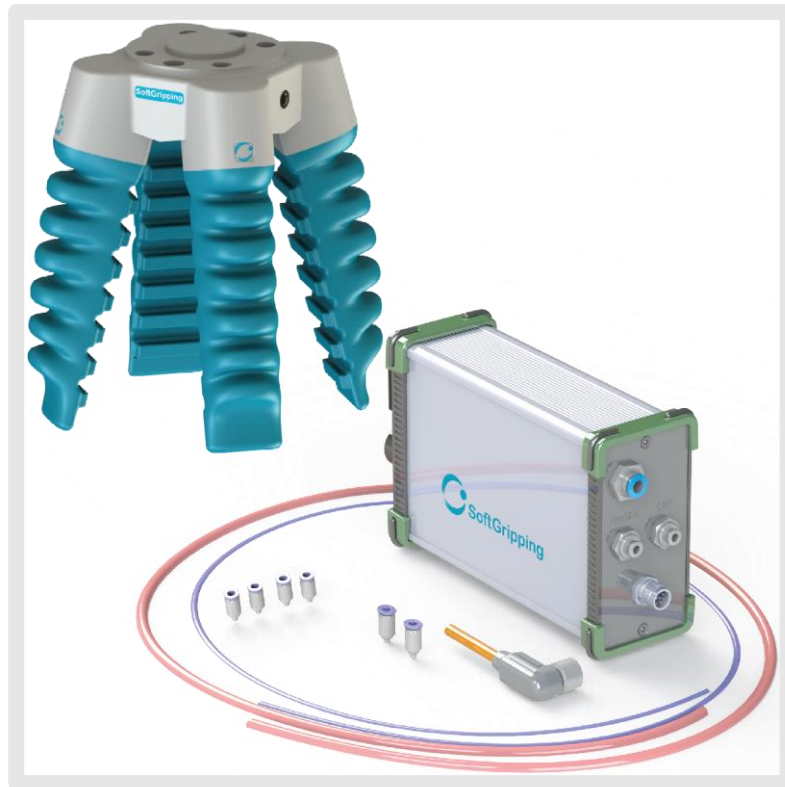
Four Finger Parallel SoftGripper - 75° Cone Angle, Control Box - Bundle SG.GB.4F.C1



This package is intended to have your SoftGripper up and running in no time. It includes a SoftGripping Control Box allowing for three positions of the SoftGripper: Grip, Release and Relaxed. If you decide to extend your SoftGripper with a suction cup, you can use the box to operate both the SoftGripper and the suction cup separately. Here, the suction cup can have two positions: Grip and Relaxed. You can operate the Control Box via your own setup or an UR-Cap. You can find the pinout as well as additional information on how to control the box in the appropriate data sheet. Of course, all necessary tubing, connectors and screws are provided as well. Keep in mind that the connector on the SoftGripper is ISO 9404-1-31.5-2-M5. Other connectors are available online.



Finger Material	Silicone
Operating Pressure	- 0.5 to 1.0 bar
Grip Force per Finger	5 N
Durability	> 10 Mio. Cycles @1.0 bar, 0.5 Hz
Connector	ISO 9404-1-31.5-2-M5
Air Pressure Connection	2 x M3
Total Height 75°	95,94 mm
Total Diameter 75°	103,60 mm
Mass	383 g
Typical Gripping Objects	<ul style="list-style-type: none"> • Rectangular or Cubic • Feed size 10 mm – 90 mm • Weight < 400 g

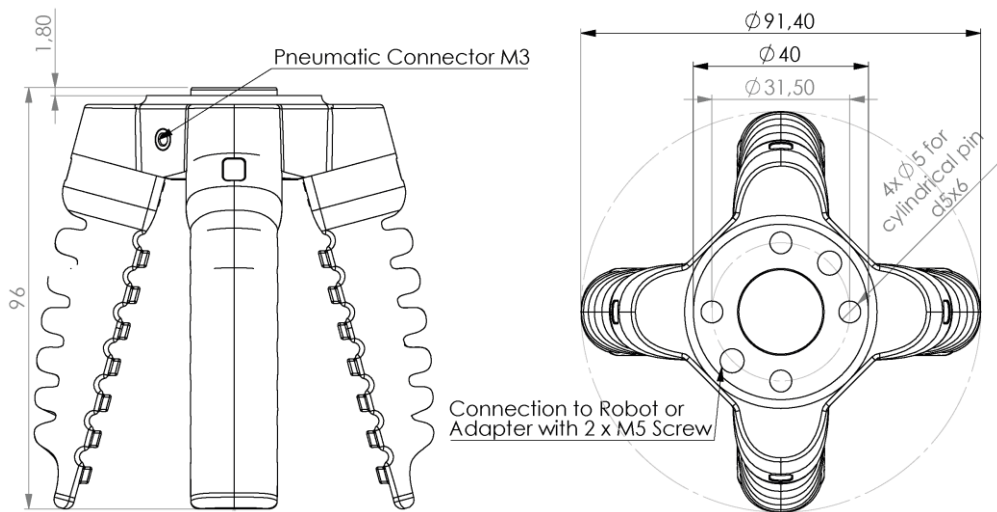


Product Code	Part	Amount
SG.4C.75D.31	Four Finger Centric SoftGripper - 75° Cone Angle	1
SG.CB.2V	SoftGripping Control Box	1
SG.KT.E00003	M12 connector IEC 61076-2-101 8 Pins male with 0,5 m cable	1
SG.KT.P00008	Straight plug connector R1/8-4mm IQSG-184-I	2
SG.KT.P00005	Straight plug connector IQSM-M34-I	4
SG.KT.P00006	Festo 4 mm tubing PUN-4X0,75 BL	4 m
SG.KT.P00007	Festo 6 mm tubing PUN-6X1 BL	1 m

Four Finger Centric SoftGripper - 75° Cone Angle, Control Box - Bundle SG.GB.4FC.C1



This package is intended to have your SoftGripper up and running in no time. It includes a SoftGripping Control Box allowing for three positions of the SoftGripper: Grip, Release and Relaxed. If you decide to extend your SoftGripper with a suction cup, you can use the box to operate both the SoftGripper and the suction cup separately. Here, the suction cup can have two positions: Grip and Relaxed. You can operate the Control Box via your own setup or an UR-Cap. You can find the pinout as well as additional information on how to control the box in the appropriate data sheet. Of course, all necessary tubing, connectors and screws are provided as well. Keep in mind that the connector on the SoftGripper is ISO 9404-1-31.5-2-M5. Other connectors are available online.



Finger Material	Silicone
Operating Pressure	- 0.5 to 1.0 bar
Grip Force per Finger	5 N
Durability	> 10 Mio. Cycles @1.0 bar, 0.5 Hz
Connector	ISO 9404-1-31.5-2-M5
Air Pressure Connection	2 x M3
Total Height 75°	96 mm
Total Diameter 75°	91,4 mm
Mass	383 g
Typical Gripping Objects	<ul style="list-style-type: none"> • Rectangular or Cubic • Feed size 10 mm – 90 mm • Weight < 400 g

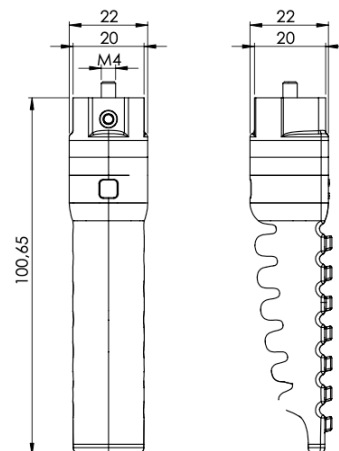


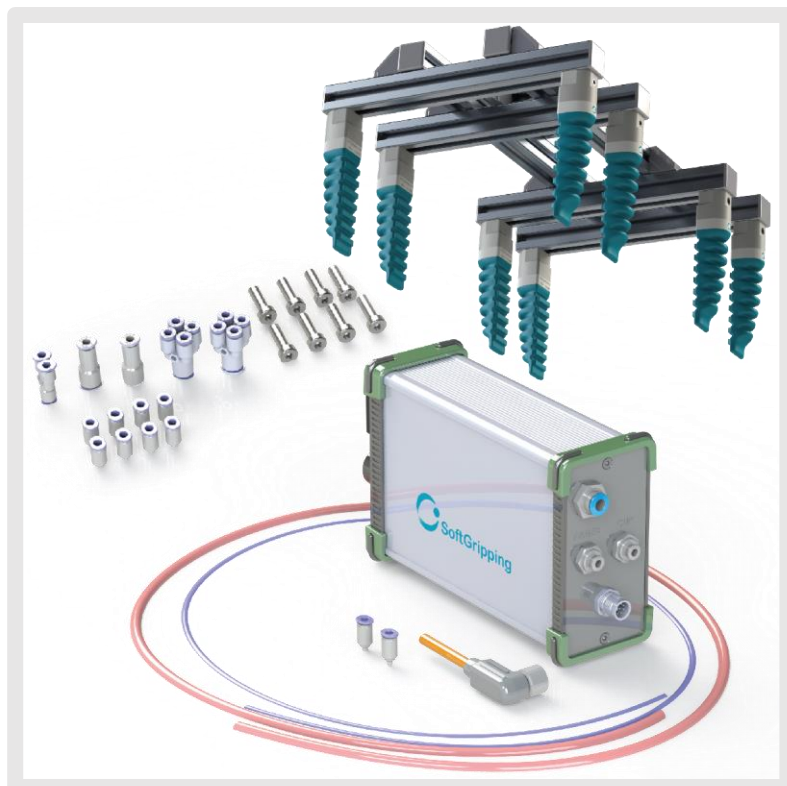
Product Code	Part	Amount
SG.BE.4F.01	EoAT Basic Kit - 4 Fingers	1
SG.CB.2V	SoftGripping Control Box	1
SG.KT.E00003	M12 connector IEC 61076-2-101 8 Pins male with 0,5 m cable	1
SG.KT.P00008	Straight plug connector R1/8-4mm IQSG-184-I	2
SG.KT.P00006	Festo 4 mm tubing PUN-4X0,75 BL	12 m
SG.KT.P00007	Festo 6 mm tubing PUN-6X1 BL	2 m
SG.KT.P00005	Straight plug connector IQSM-M34-I	4
SG.KT.Z00010	Cylinder head screw DIN 7984 M6x20 A2	8
SG.KT.P00010	Plug connection - multidistributor 6mm-4mm, IQSQ 6040	2
SG.KT.P00011	Straight plug connector 6mm-4mm, IQSG 6040	2
SG.KT.P00009	Y- plug connector 4mm-4mm IQSMY 40	1

This package is intended to have your End of Arm Tooling up and running in no time. It includes an EoAT Basic Kit with 4 Fingers for a large range of applications. The position of the fingers can be adjusted to your liking and controlled with the SoftGripping Control Box allowing for three positions of the Fingers: Grip, Release and Relaxed. If you decide to extend the EoAT with suction cups later, you can use the box to operate both the Fingers and the suction cup separately. Here, the suction cup can have two positions: Grip and Relaxed. You can operate the Control Box via your own setup or an UR-Cap. You can find the pinout as well as additional information on how to control the box in the appropriate data sheet. Of course, all necessary tubing, connectors and screws are provided as well.



Finger Material	Silicone
Operating Pressure	- 0.5 to 1.0 bar
Grip Force per Finger	5 N
Durability	> 10 Mio. Cycles @1.0 bar, 0.5 Hz
Air Pressure Connection	M3



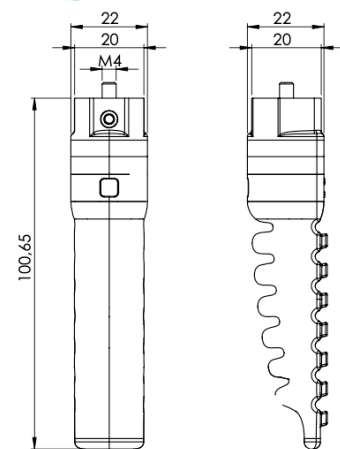


Product Code	Part	Amount
SG.BE.8F.01	EoAT Expanded Kit - 8 Fingers	1
SG.CB.2V	SoftGripping Control Box	1
SG.KT.E00003	M12 connector IEC 61076-2-101 8 Pins male with 0,5 m cable	1
SG.KT.P00008	Straight plug connector R1/8-4mm IQSG-184-I	2
SG.KT.P00006	Festo 4 mm tubing PUN-4X0,75 BL	12 m
SG.KT.P00007	Festo 6 mm tubing PUN-6X1 BL	2 m
SG.KT.P00005	Straight plug connector IQSM-M34-I	4
SG.KT.Z00010	Cylinder head screw DIN 7984 M6x20 A2	8
SG.KT.P00010	Plug connection - multidistributor 6mm-4mm, IQSQ 6040	2
SG.KT.P00011	Straight plug connector 6mm-4mm, IQSG 6040	2
SG.KT.P00009	Y- plug connector 4mm-4mm IQSMY 40	1

EoAT Expanded Kit - 8 Fingers, Control Box - Bundle SG.GB.8E.C1



This package is intended to have your End of Arm Tooling up and running in no time. It includes an EoAT Expanded Kit with 8 Fingers for a large range of applications. The position of the fingers can be adjusted to your liking and controlled with the SoftGripping Control Box allowing for three positions of the Fingers: Grip, Release and Relaxed. If you decide to extend the EoAT with suction cups later, you can use the box to operate both the Fingers and the suction cup separately. Here, the suction cup can have two positions: Grip and Relaxed. You can operate the Control Box via your own setup or an UR-Cap. You can find the pinout as well as additional information on how to control the box in the appropriate data sheet. Of course, all necessary tubing, connectors and screws are provided as well.



Finger Material	Silicone
Operating Pressure	- 0.5 to 1.0 bar
Grip Force per Finger	5 N
Durability	> 10 Mio. Cycles @1.0 bar, 0.5 Hz
Air Pressure Connection	M3



soft-gripping.com
soft-gripping.shop
info@soft-gripping.com

by



Wegard GmbH
Kirchenheide 18
22395 Hamburg